

# INOX X-TEND CABLE WEBNET

FERRULED TYPE DATA SHEET

3.0 MM WIRE ROPE

# YT-F-3050

YUNTONG X-TEND MESH	YT-F-3050
PRODUCT TYPE	WIRE ROPE MESH
MATERIAL TYPE	AISI316 WIRE ROPE
NORMAL DIAMETER	3.0 MM
WIRE ROPE CONSTRUCTION	7 x 7
MESH APERTURE	W 50 MM x H 86 MM
MESH ANGLE	60° IN RHOMBUS
APPROX. NET WEIHT	2.1 KG / M <sup>2</sup>
MIN.BREAKING LOAD (WIRE ROPE)	5.7 KN

# YT-F-3060

YUNTONG X-TEND MESH	YT-F-3060
PRODUCT TYPE	WIRE ROPE MESH
MATERIAL TYPE	AISI316 WIRE ROPE
NORMAL DIAMETER	3.0 MM
WIRE ROPE CONSTRUCTION	7 x 7
MESH APERTURE	W 60 MM x H 104 MM
MESH ANGLE	60° IN RHOMBUS
APPROX. NET WEIHT	1.55 KG / M <sup>2</sup>
MIN.BREAKING LOAD (WIRE ROPE)	5.7 KN

# YT-F-3070

YUNTONG X-TEND MESH	YT-F-3070
PRODUCT TYPE	WIRE ROPE MESH
MATERIAL TYPE	AISI316 WIRE ROPE
NORMAL DIAMETER	3.0 MM
WIRE ROPE CONSTRUCTION	7 x 7
MESH APERTURE	W 70 MM x H 120 MM
MESH ANGLE	60° IN RHOMBUS
APPROX. NET WEIHT	1.4 KG / M <sup>2</sup>
MIN.BREAKING LOAD (WIRE ROPE)	5.7 KN

# YT-F-3075

YUNTONG X-TEND MESH	YT-F-3075
PRODUCT TYPE	WIRE ROPE MESH
MATERIAL TYPE	AISI316 WIRE ROPE
NORMAL DIAMETER	3.0 MM
WIRE ROPE CONSTRUCTION	7 x 7
MESH APERTURE	W 75 MM x H 130 MM
MESH ANGLE	60° IN RHOMBUS
APPROX. NET WEIHT	1.29 KG / M <sup>2</sup>
MIN.BREAKING LOAD (WIRE ROPE)	5.7 KN

# YT-F-3080

YUNTONG X-TEND MESH	YT-F-3080
PRODUCT TYPE	WIRE ROPE MESH
MATERIAL TYPE	AISI316 WIRE ROPE
NORMAL DIAMETER	3.0 MM
WIRE ROPE CONSTRUCTION	7 x 7
MESH APERTURE	W 80 MM x H 140 MM
MESH ANGLE	60° IN RHOMBUS
APPROX. NET WEIHT	1.16 KG / M <sup>2</sup>
MIN.BREAKING LOAD (WIRE ROPE)	5.7 KN

# YT-F-3090

YUNTONG X-TEND MESH	YT-F-3090
PRODUCT TYPE	WIRE ROPE MESH
MATERIAL TYPE	AISI316 WIRE ROPE
NORMAL DIAMETER	3.0 MM
WIRE ROPE CONSTRUCTION	7 x 7
MESH APERTURE	W 90 MM x H 155 MM
MESH ANGLE	60° IN RHOMBUS
APPROX. NET WEIHT	1.07 KG / M <sup>2</sup>
MIN.BREAKING LOAD (WIRE ROPE)	5.7 KN

# YT-F-30100

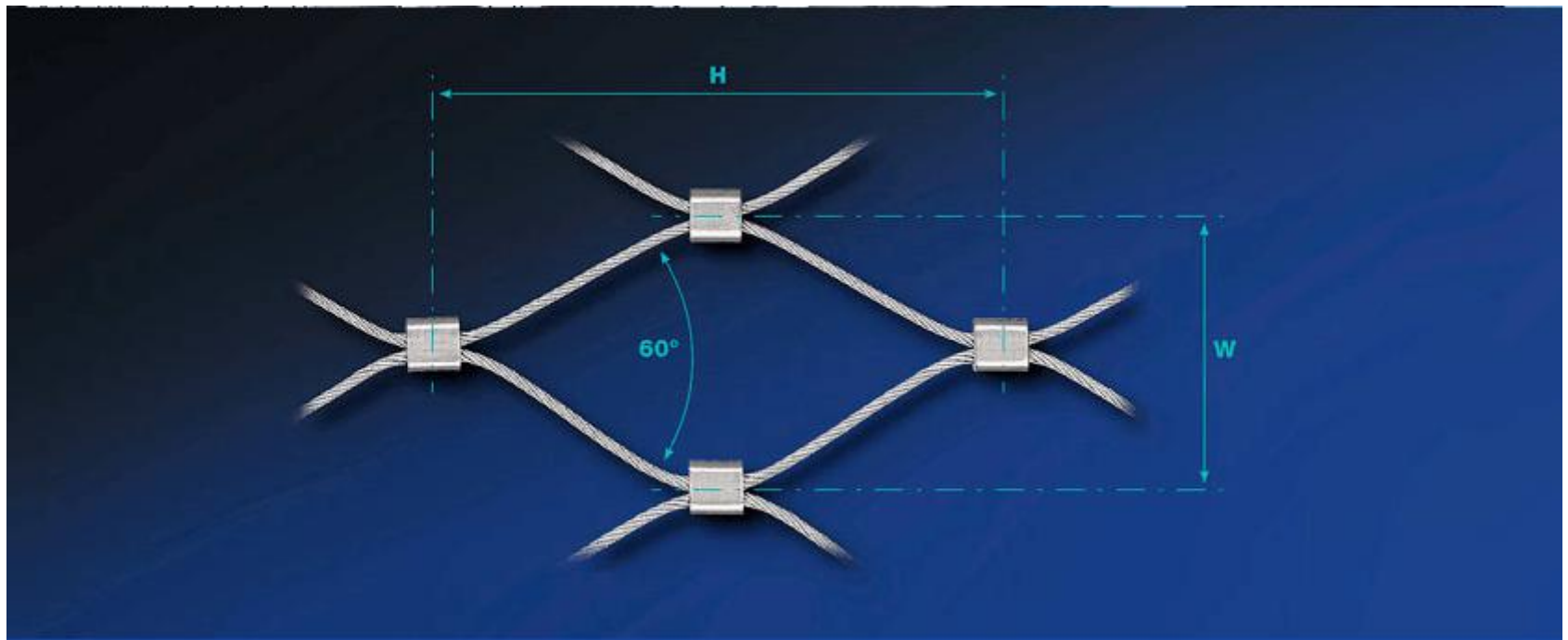
YUNTONG X-TEND MESH	YT-F-30100
PRODUCT TYPE	WIRE ROPE MESH
MATERIAL TYPE	AISI316 WIRE ROPE
NORMAL DIAMETER	3.0 MM
WIRE ROPE CONSTRUCTION	7 x 7
MESH APERTURE	W 100 MM x H 175 MM
MESH ANGLE	60° IN RHOMBUS
APPROX. NET WEIHT	0.96 KG / M <sup>2</sup>
MIN.BREAKING LOAD (WIRE ROPE)	5.7 KN



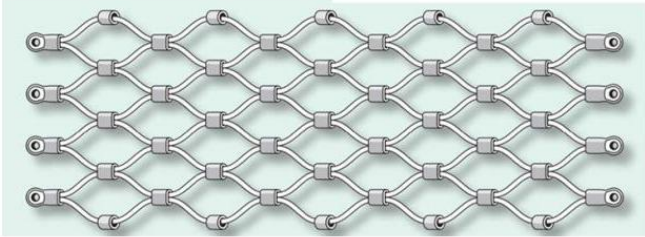
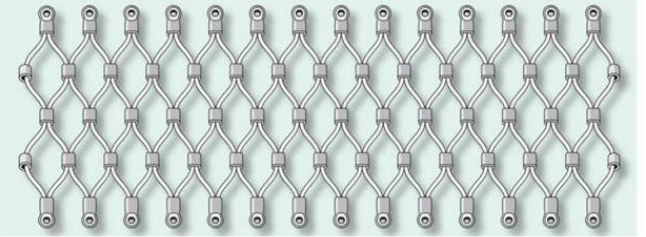


# YT-F-30120

YUNTONG X-TEND MESH	YT-F-30120
PRODUCT TYPE	WIRE ROPE MESH
MATERIAL TYPE	AISI316 WIRE ROPE
NORMAL DIAMETER	3.0 MM
WIRE ROPE CONSTRUCTION	7 x 7
MESH APERTURE	W 120 MM x H 210 MM
MESH ANGLE	60° IN RHOMBUS
APPROX. NET WEIHT	0.78 KG / M <sup>2</sup>
MIN.BREAKING LOAD (WIRE ROPE)	5.7 KN

# MESH APERTURE DETAILS



# ORIENTATION & FINISHED

MESH ORIENTATION	
<p><b>HORIZONTAL</b></p>  A schematic diagram showing a diamond-shaped mesh structure with four rows of nodes. The nodes are arranged in a regular grid, and the mesh is oriented horizontally, meaning the diamond shapes are elongated horizontally.	<p><b>VERTICAL</b></p>  A schematic diagram showing a diamond-shaped mesh structure with four rows of nodes. The nodes are arranged in a regular grid, and the mesh is oriented vertically, meaning the diamond shapes are elongated vertically.
FINISHED	
<p><b>ULTRASONIC BATH</b></p>  A photograph showing a close-up of a diamond-shaped mesh structure. The mesh is made of a blue, textured material and is connected by gold-colored metal fittings. The mesh is oriented horizontally.	<p><b>BLACK OXIDE</b></p>  A photograph showing a close-up of a diamond-shaped mesh structure. The mesh is made of a blue, textured material and is connected by black metal fittings. The mesh is oriented vertically.

# POPULAR STYLES

