

INOX X-TEND CABLE WEBNET

FERRULED TYPE DATA SHEET

2.5 MM WIRE ROPE

YT-F-2540

YUNTONG X-TEND MESH	YT-F-2540
PRODUCT TYPE	WIRE ROPE MESH
MATERIAL TYPE	AISI316 WIRE ROPE
NORMAL DIAMETER	2.5 MM
WIRE ROPE CONSTRUCTION	7 x 7
MESH APERTURE	W 40 MM x H 70 MM
MESH ANGLE	60° IN RHOMBUS
APPROX. NET WEIHT	2.07 KG / M ²
MIN.BREAKING LOAD (WIRE ROPE)	3.4 KN

YT-F-2550

YUNTONG X-TEND MESH	YT-F-2550
PRODUCT TYPE	WIRE ROPE MESH
MATERIAL TYPE	AISI316 WIRE ROPE
NORMAL DIAMETER	2.5 MM
WIRE ROPE CONSTRUCTION	7 x 7
MESH APERTURE	W 50 MM x H 86 MM
MESH ANGLE	60° IN RHOMBUS
APPROX. NET WEIHT	1.52 KG / M ²
MIN.BREAKING LOAD (WIRE ROPE)	3.4 KN

YT-F-2560

YUNTONG X-TEND MESH	YT-F-2560
PRODUCT TYPE	WIRE ROPE MESH
MATERIAL TYPE	AISI316 WIRE ROPE
NORMAL DIAMETER	2.5 MM
WIRE ROPE CONSTRUCTION	7 x 7
MESH APERTURE	W 60 MM x H 104 MM
MESH ANGLE	60° IN RHOMBUS
APPROX. NET WEIHT	1.1 KG / M ²
MIN.BREAKING LOAD (WIRE ROPE)	3.4 KN

YT-F-2570

YUNTONG X-TEND MESH	YT-F-2570
PRODUCT TYPE	WIRE ROPE MESH
MATERIAL TYPE	AISI316 WIRE ROPE
NORMAL DIAMETER	2.5 MM
WIRE ROPE CONSTRUCTION	7 x 7
MESH APERTURE	W 70 MM x H 120 MM
MESH ANGLE	60° IN RHOMBUS
APPROX. NET WEIHT	1.0 KG / M ²
MIN.BREAKING LOAD (WIRE ROPE)	3.4 KN

YT-F-2575

YUNTONG X-TEND MESH	YT-F-2575
PRODUCT TYPE	WIRE ROPE MESH
MATERIAL TYPE	AISI316 WIRE ROPE
NORMAL DIAMETER	2.5 MM
WIRE ROPE CONSTRUCTION	7 x 7
MESH APERTURE	W 75 MM x H 130 MM
MESH ANGLE	60° IN RHOMBUS
APPROX. NET WEIHT	0.92 KG / M ²
MIN.BREAKING LOAD (WIRE ROPE)	3.4 KN

YT-F-2580

YUNTONG X-TEND MESH	YT-F-2580
PRODUCT TYPE	WIRE ROPE MESH
MATERIAL TYPE	AISI316 WIRE ROPE
NORMAL DIAMETER	2.5 MM
WIRE ROPE CONSTRUCTION	7 x 7
MESH APERTURE	W 80 MM x H 140 MM
MESH ANGLE	60° IN RHOMBUS
APPROX. NET WEIHT	0.83 KG / M ²
MIN.BREAKING LOAD (WIRE ROPE)	3.4 KN

YT-F-2590

YUNTONG X-TEND MESH	YT-F-2590
PRODUCT TYPE	WIRE ROPE MESH
MATERIAL TYPE	AISI316 WIRE ROPE
NORMAL DIAMETER	2.5 MM
WIRE ROPE CONSTRUCTION	7 x 7
MESH APERTURE	W 90 MM x H 155 MM
MESH ANGLE	60° IN RHOMBUS
APPROX. NET WEIHT	0.76 KG / M ²
MIN.BREAKING LOAD (WIRE ROPE)	3.4 KN

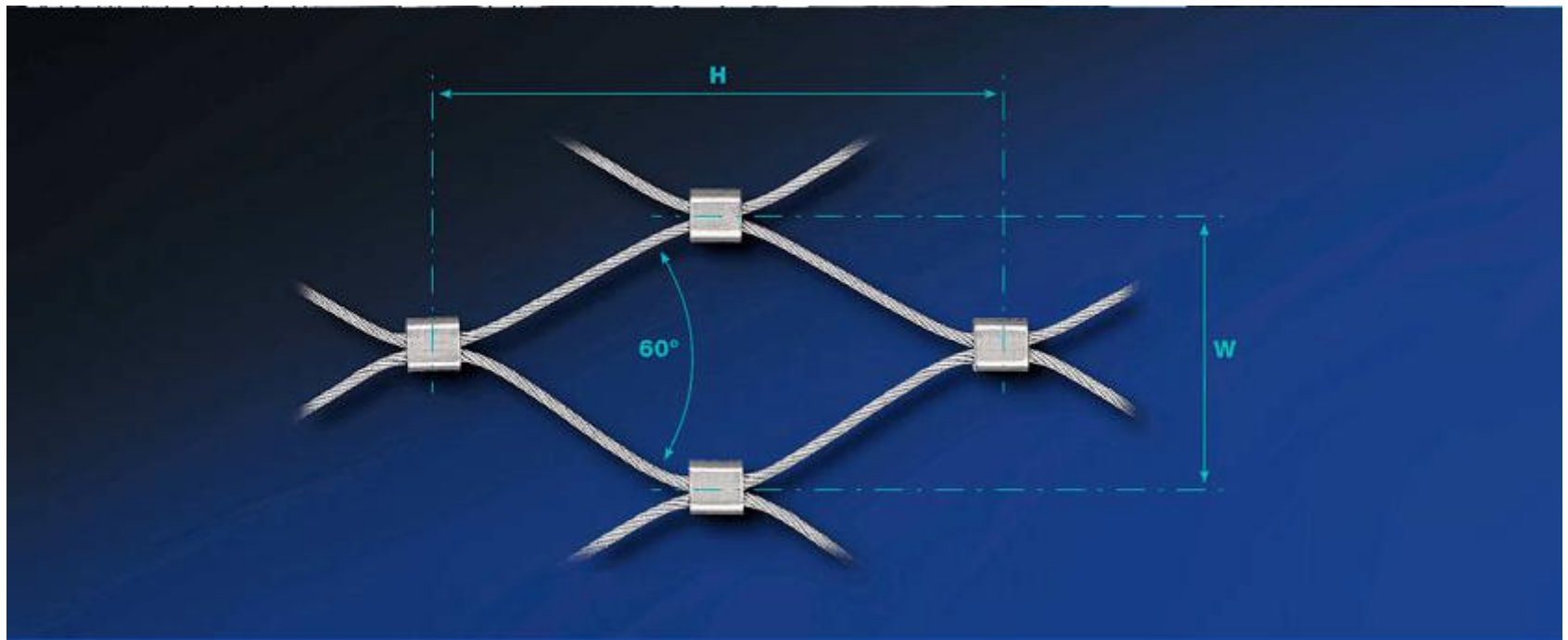
YT-F-25100

YUNTONG X-TEND MESH	YT-F-25100
PRODUCT TYPE	WIRE ROPE MESH
MATERIAL TYPE	AISI316 WIRE ROPE
NORMAL DIAMETER	2.5 MM
WIRE ROPE CONSTRUCTION	7 x 7
MESH APERTURE	W 100 MM x H 175 MM
MESH ANGLE	60° IN RHOMBUS
APPROX. NET WEIHT	0.68KG / M ²
MIN.BREAKING LOAD (WIRE ROPE)	3.4 KN

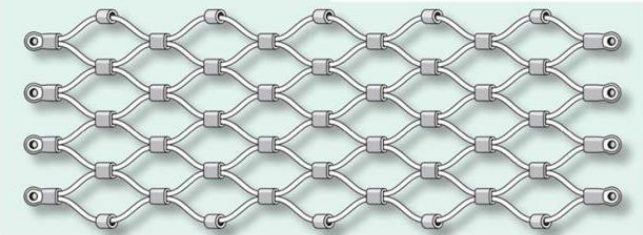
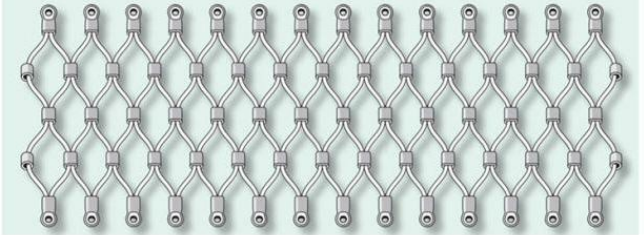
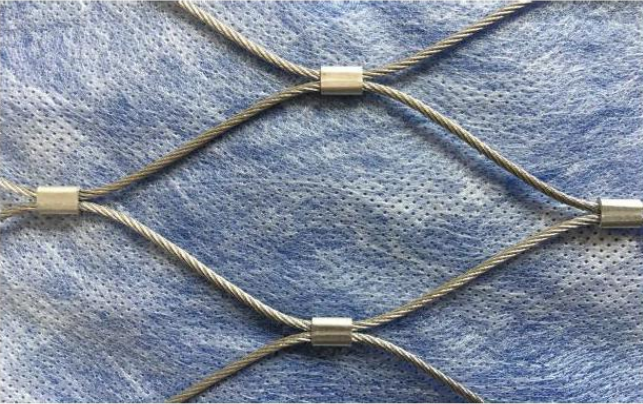

YT-F-25120

YUNTONG X-TEND MESH	YT-F-25120
PRODUCT TYPE	WIRE ROPE MESH
MATERIAL TYPE	AISI316 WIRE ROPE
NORMAL DIAMETER	2.5 MM
WIRE ROPE CONSTRUCTION	7 x 7
MESH APERTURE	W 120 MM x H 210 MM
MESH ANGLE	60° IN RHOMBUS
APPROX. NET WEIHT	0.55KG / M ²
MIN.BREAKING LOAD (WIRE ROPE)	3.4 KN

MESH APERTURE DETAILS



ORIENTATION & FINISHED

MESH ORIENTATION	
<p>HORIZONTAL</p>  A schematic diagram showing a diamond-shaped mesh structure with four rows of nodes. The nodes are arranged in a regular grid, and the mesh is oriented horizontally, meaning the diamond shapes are elongated horizontally.	<p>VERTICAL</p>  A schematic diagram showing a diamond-shaped mesh structure with four rows of nodes. The nodes are arranged in a regular grid, and the mesh is oriented vertically, meaning the diamond shapes are elongated vertically.
FINISHED	
<p>ULTRASONIC BATH</p>  A photograph showing a close-up of a diamond-shaped mesh structure. The mesh is made of a blue, textured material and is connected by gold-colored metal fittings. The mesh is oriented horizontally.	<p>BLACK OXIDE</p>  A photograph showing a close-up of a diamond-shaped mesh structure. The mesh is made of a blue, textured material and is connected by black metal fittings. The mesh is oriented vertically.

POPULAR STYLES

