

INOX X-TEND CABLE WEBNET

FERRULED TYPE DATA SHEET

2.0 MM WIRE ROPE

YT-F-2030

YUNTONG X-TEND MESH	YT-F-2030
PRODUCT TYPE	WIRE ROPE MESH
MATERIAL TYPE	AISI316 WIRE ROPE
NORMAL DIAMETER	2.0 MM
WIRE ROPE CONSTRUCTION	7 x 7
MESH APERTURE	W 30 MM x H 50 MM
MESH ANGLE	60° IN RHOMBUS
APPROX. NET WEIHT	2.03 KG / M ²
MIN.BREAKING LOAD (WIRE ROPE)	2.5 KN

YT-F-2038

YUNTONG X-TEND MESH	YT-F-2038
PRODUCT TYPE	WIRE ROPE MESH
MATERIAL TYPE	AISI316 WIRE ROPE
NORMAL DIAMETER	2.0 MM
WIRE ROPE CONSTRUCTION	7 x 7
MESH APERTURE	W 38 MM x H 66 MM
MESH ANGLE	60° IN RHOMBUS
APPROX. NET WEIHT	1.4 KG / M ²
MIN.BREAKING LOAD (WIRE ROPE)	2.5 KN

YT-F-2040

YUNTONG X-TEND MESH	YT-F-2040
PRODUCT TYPE	WIRE ROPE MESH
MATERIAL TYPE	AISI316 WIRE ROPE
NORMAL DIAMETER	2.0 MM
WIRE ROPE CONSTRUCTION	7 x 7
MESH APERTURE	W 40 MM x H 70 MM
MESH ANGLE	60° IN RHOMBUS
APPROX. NET WEIHT	1.3 KG / M ²
MIN.BREAKING LOAD (WIRE ROPE)	2.5 KN

YT-F-2050

YUNTONG X-TEND MESH	YT-F-2050
PRODUCT TYPE	WIRE ROPE MESH
MATERIAL TYPE	AISI316 WIRE ROPE
NORMAL DIAMETER	2.0 MM
WIRE ROPE CONSTRUCTION	7 x 7
MESH APERTURE	W 50 MM x H 86 MM
MESH ANGLE	60° IN RHOMBUS
APPROX. NET WEIHT	0.95 KG / M ²
MIN.BREAKING LOAD (WIRE ROPE)	2.5 KN

YT-F-2060

YUNTONG X-TEND MESH	YT-F-2060
PRODUCT TYPE	WIRE ROPE MESH
MATERIAL TYPE	AISI316 WIRE ROPE
NORMAL DIAMETER	2.0 MM
WIRE ROPE CONSTRUCTION	7 x 7
MESH APERTURE	W 60 MM x H 104 MM
MESH ANGLE	60° IN RHOMBUS
APPROX. NET WEIHT	0.7 KG / M ²
MIN.BREAKING LOAD (WIRE ROPE)	2.5 KN

YT-F-2070

YUNTONG X-TEND MESH	YT-F-2070
PRODUCT TYPE	WIRE ROPE MESH
MATERIAL TYPE	AISI316 WIRE ROPE
NORMAL DIAMETER	2.0 MM
WIRE ROPE CONSTRUCTION	7 x 7
MESH APERTURE	W 70 MM x H 120 MM
MESH ANGLE	60° IN RHOMBUS
APPROX. NET WEIHT	0.62 KG / M ²
MIN.BREAKING LOAD (WIRE ROPE)	2.5 KN

YT-F-2075

YUNTONG X-TEND MESH	YT-F-2075
PRODUCT TYPE	WIRE ROPE MESH
MATERIAL TYPE	AISI316 WIRE ROPE
NORMAL DIAMETER	2.0 MM
WIRE ROPE CONSTRUCTION	7 x 7
MESH APERTURE	W 75 MM x H 130 MM
MESH ANGLE	60° IN RHOMBUS
APPROX. NET WEIHT	0.58 KG / M ²
MIN.BREAKING LOAD (WIRE ROPE)	2.5 KN

YT-F-2080

YUNTONG X-TEND MESH	YT-F-2080
PRODUCT TYPE	WIRE ROPE MESH
MATERIAL TYPE	AISI316 WIRE ROPE
NORMAL DIAMETER	2.0 MM
WIRE ROPE CONSTRUCTION	7 x 7
MESH APERTURE	W 80 MM x H 140 MM
MESH ANGLE	60° IN RHOMBUS
APPROX. NET WEIHT	0.52KG / M ²
MIN.BREAKING LOAD (WIRE ROPE)	2.5 KN

YT-F-2090

YUNTONG X-TEND MESH	YT-F-2090
PRODUCT TYPE	WIRE ROPE MESH
MATERIAL TYPE	AISI316 WIRE ROPE
NORMAL DIAMETER	2.0 MM
WIRE ROPE CONSTRUCTION	7 x 7
MESH APERTURE	W 90 MM x H 155 MM
MESH ANGLE	60° IN RHOMBUS
APPROX. NET WEIHT	0.47KG / M ²
MIN.BREAKING LOAD (WIRE ROPE)	2.5 KN

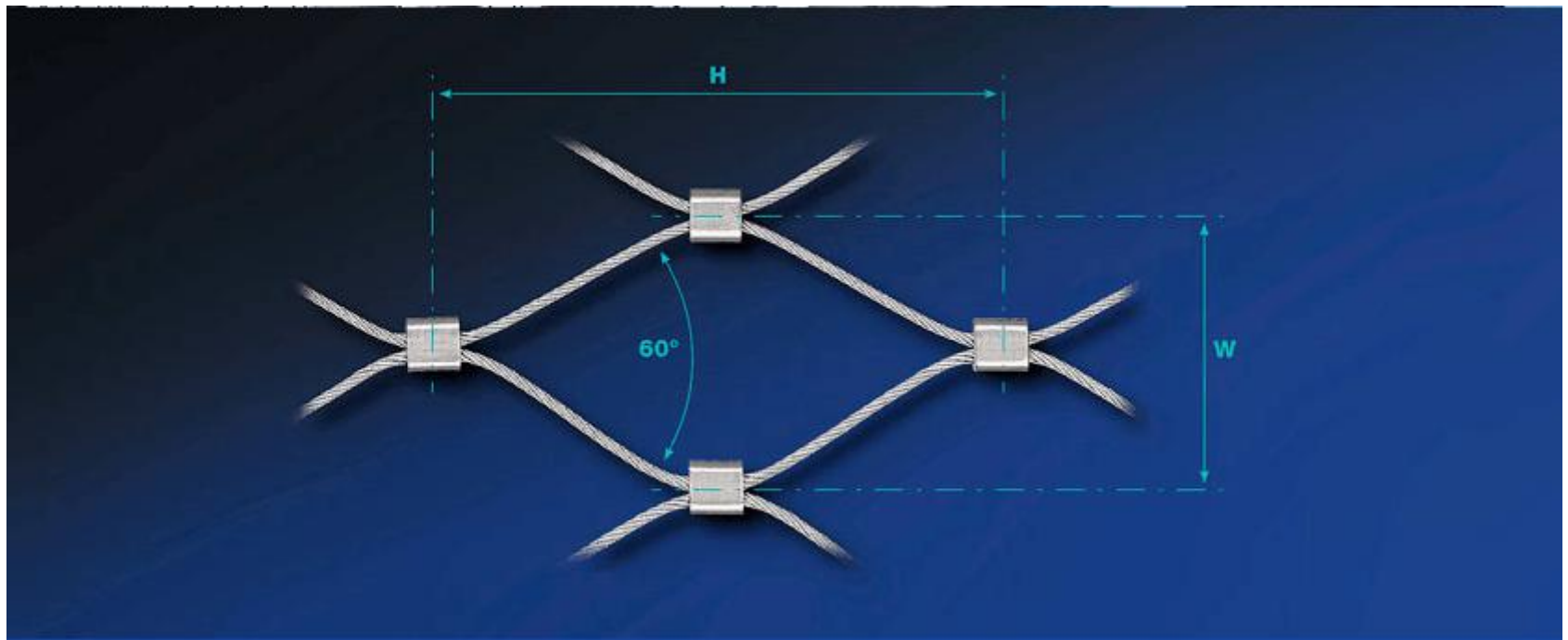
YT-F-20100

YUNTONG X-TEND MESH	YT-F-20100
PRODUCT TYPE	WIRE ROPE MESH
MATERIAL TYPE	AISI316 WIRE ROPE
NORMAL DIAMETER	2.0 MM
WIRE ROPE CONSTRUCTION	7 x 7
MESH APERTURE	W 100 MM x H 175 MM
MESH ANGLE	60° IN RHOMBUS
APPROX. NET WEIHT	0.43KG / M ²
MIN.BREAKING LOAD (WIRE ROPE)	2.5 KN

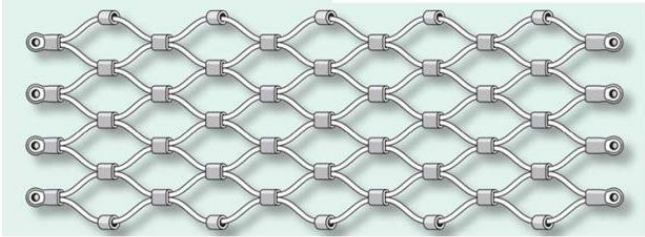
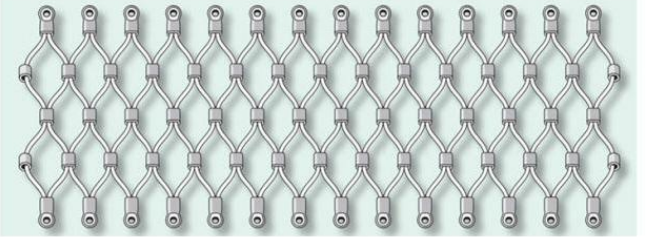


YT-F-20120

YUNTONG X-TEND MESH	YT-F-20120
PRODUCT TYPE	WIRE ROPE MESH
MATERIAL TYPE	AISI316 WIRE ROPE
NORMAL DIAMETER	2.0 MM
WIRE ROPE CONSTRUCTION	7 x 7
MESH APERTURE	W 120 MM x H 210 MM
MESH ANGLE	60° IN RHOMBUS
APPROX. NET WEIHT	0.35KG / M ²
MIN.BREAKING LOAD (WIRE ROPE)	2.5 KN

MESH APERTURE DETAILS



ORIENTATION & FINISHED

MESH ORIENTATION	
<p>HORIZONTAL</p>  A schematic diagram of a diamond-shaped mesh with a horizontal orientation. The mesh is composed of interconnected nodes and lines, forming a series of diamond shapes that are elongated horizontally. The nodes are represented by small circles, and the lines are thicker at the nodes.	<p>VERTICAL</p>  A schematic diagram of a diamond-shaped mesh with a vertical orientation. The mesh is composed of interconnected nodes and lines, forming a series of diamond shapes that are elongated vertically. The nodes are represented by small circles, and the lines are thicker at the nodes.
FINISHED	
<p>ULTRASONIC BATH</p>  A photograph showing a close-up of a finished mesh. The mesh is made of a blue, textured material with a diamond-shaped pattern. The nodes are connected by thick, braided metal cables. The mesh is shown in a perspective view, highlighting the texture and the way the cables are joined.	<p>BLACK OXIDE</p>  A photograph showing a close-up of a finished mesh with a black oxide finish. The mesh is made of a blue, textured material with a diamond-shaped pattern. The nodes are connected by thick, braided metal cables. The mesh is shown in a perspective view, highlighting the texture and the way the cables are joined.

POPULAR STYLES

