

# INOX X-TEND CABLE WEBNET

FERRULED TYPE DATA SHEET

1.6 MM WIRE ROPE

# YT-F-1625

YUNTONG X-TEND MESH	YT-F-1625
PRODUCT TYPE	WIRE ROPE MESH
MATERIAL TYPE	AISI316 WIRE ROPE
NORMAL DIAMETER	1.5 MM / 1.6 MM
WIRE ROPE CONSTRUCTION	7 x 7
MESH APERTURE	W 25 MM x H 40 MM
MESH ANGLE	60° IN RHOMBUS
APPROX. NET WEIHT	2.1KG / M <sup>2</sup>
MIN.BREAKING LOAD (WIRE ROPE)	1.5 KN

# YT-F-1630

YUNTONG X-TEND MESH	YT-F-1630
PRODUCT TYPE	WIRE ROPE MESH
MATERIAL TYPE	AISI316 WIRE ROPE
NORMAL DIAMETER	1.5 MM / 1.6 MM
WIRE ROPE CONSTRUCTION	7 x 7
MESH APERTURE	W 30 MM x H 50 MM
MESH ANGLE	60° IN RHOMBUS
APPROX. NET WEIHT	1.32KG / M <sup>2</sup>
MIN.BREAKING LOAD (WIRE ROPE)	1.5 KN

# YT-F-1638

YUNTONG X-TEND MESH	YT-F-1638
PRODUCT TYPE	WIRE ROPE MESH
MATERIAL TYPE	AISI316 WIRE ROPE
NORMAL DIAMETER	1.5 MM / 1.6 MM
WIRE ROPE CONSTRUCTION	7 x 7
MESH APERTURE	W 38 MM x H 66 MM
MESH ANGLE	60° IN RHOMBUS
APPROX. NET WEIHT	0.91KG / M <sup>2</sup>
MIN.BREAKING LOAD (WIRE ROPE)	1.5 KN

# YT-F-1640

YUNTONG X-TEND MESH	YT-F-1640
PRODUCT TYPE	WIRE ROPE MESH
MATERIAL TYPE	AISI316 WIRE ROPE
NORMAL DIAMETER	1.5 MM / 1.6 MM
WIRE ROPE CONSTRUCTION	7 x 7
MESH APERTURE	W 40 MM x H 70 MM
MESH ANGLE	60° IN RHOMBUS
APPROX. NET WEIHT	0.84KG / M <sup>2</sup>
MIN.BREAKING LOAD (WIRE ROPE)	1.5 KN

# YT-F-1650

YUNTONG X-TEND MESH	YT-F-1650
PRODUCT TYPE	WIRE ROPE MESH
MATERIAL TYPE	AISI316 WIRE ROPE
NORMAL DIAMETER	1.5MM / 1.6 MM
WIRE ROPE CONSTRUCTION	7 x 7
MESH APERTURE	W 50 MM x H 86 MM
MESH ANGLE	60° IN RHOMBUS
APPROX. NET WEIHT	0.62KG / M <sup>2</sup>
MIN.BREAKING LOAD (WIRE ROPE)	1.5 KN

# YT-F-1660

YUNTONG X-TEND MESH	YT-F-1660
PRODUCT TYPE	WIRE ROPE MESH
MATERIAL TYPE	AISI316 WIRE ROPE
NORMAL DIAMETER	1.5 MM / 1.6 MM
WIRE ROPE CONSTRUCTION	7 x 7
MESH APERTURE	W 60 MM x H 104 MM
MESH ANGLE	60° IN RHOMBUS
APPROX. NET WEIHT	0.45KG / M <sup>2</sup>
MIN.BREAKING LOAD (WIRE ROPE)	1.5 KN

# YT-F-1670

YUNTONG X-TEND MESH	YT-F-1670
PRODUCT TYPE	WIRE ROPE MESH
MATERIAL TYPE	AISI316 WIRE ROPE
NORMAL DIAMETER	1.5 MM / 1.6 MM
WIRE ROPE CONSTRUCTION	7 x 7
MESH APERTURE	W 70 MM x H 120 MM
MESH ANGLE	60° IN RHOMBUS
APPROX. NET WEIHT	0.4KG / M <sup>2</sup>
MIN.BREAKING LOAD (WIRE ROPE)	1.5 KN



# YT-F-1675

YUNTONG X-TEND MESH	YT-F-1675
PRODUCT TYPE	WIRE ROPE MESH
MATERIAL TYPE	AISI316 WIRE ROPE
NORMAL DIAMETER	1.5 MM / 1.6 MM
WIRE ROPE CONSTRUCTION	7 x 7
MESH APERTURE	W 75 MM x H 130 MM
MESH ANGLE	60° IN RHOMBUS
APPROX. NET WEIHT	0.375KG / M <sup>2</sup>
MIN.BREAKING LOAD (WIRE ROPE)	1.5 KN

# YT-F-1680

YUNTONG X-TEND MESH	YT-F-1680
PRODUCT TYPE	WIRE ROPE MESH
MATERIAL TYPE	AISI316 WIRE ROPE
NORMAL DIAMETER	1.5 MM / 1.6 MM
WIRE ROPE CONSTRUCTION	7 x 7
MESH APERTURE	W 80 MM x H 140 MM
MESH ANGLE	60° IN RHOMBUS
APPROX. NET WEIHT	0.34KG / M <sup>2</sup>
MIN.BREAKING LOAD (WIRE ROPE)	1.5 KN

# YT-F-1690

YUNTONG X-TEND MESH	YT-F-1690
PRODUCT TYPE	WIRE ROPE MESH
MATERIAL TYPE	AISI316 WIRE ROPE
NORMAL DIAMETER	1.5 MM / 1.6 MM
WIRE ROPE CONSTRUCTION	7 x 7
MESH APERTURE	W 90 MM x H 155 MM
MESH ANGLE	60° IN RHOMBUS
APPROX. NET WEIHT	0.31KG / M <sup>2</sup>
MIN.BREAKING LOAD (WIRE ROPE)	1.5 KN

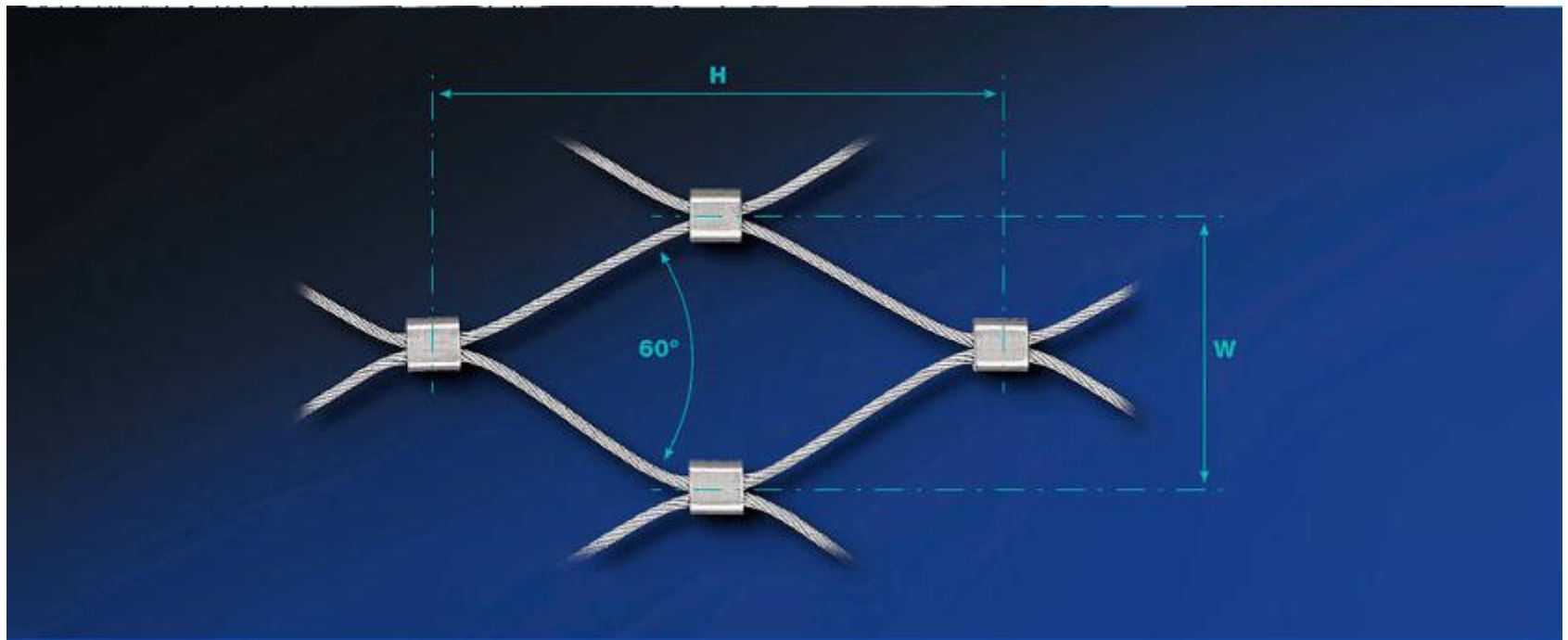
# YT-F-16100

YUNTONG X-TEND MESH	YT-F-16100
PRODUCT TYPE	WIRE ROPE MESH
MATERIAL TYPE	AISI316 WIRE ROPE
NORMAL DIAMETER	1.5 MM / 1.6 MM
WIRE ROPE CONSTRUCTION	7 x 7
MESH APERTURE	W 100 MM x H 175 MM
MESH ANGLE	60° IN RHOMBUS
APPROX. NET WEIHT	0.28KG / M <sup>2</sup>
MIN.BREAKING LOAD (WIRE ROPE)	1.5 KN

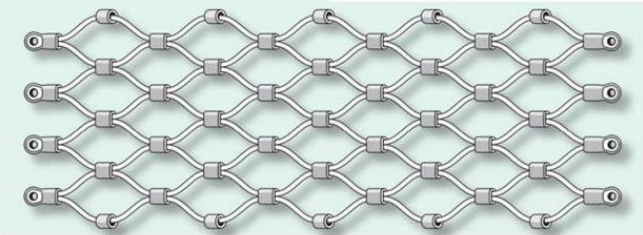
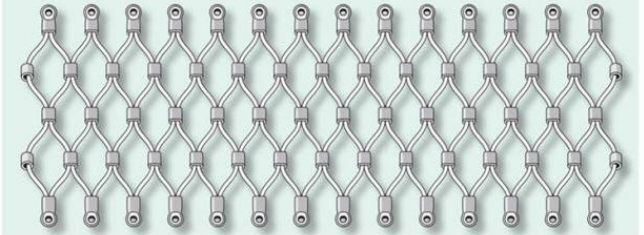
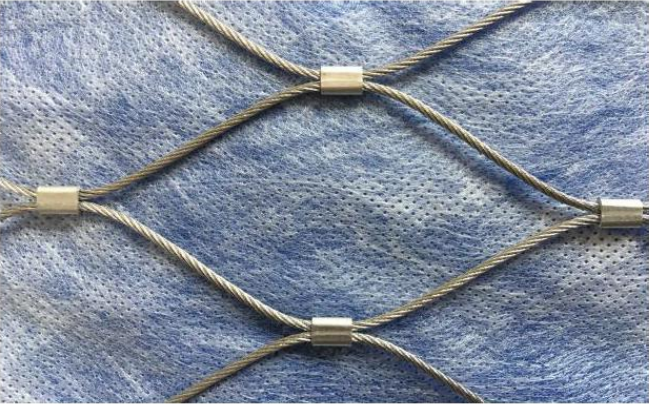

# YT-F-16120

YUNTONG X-TEND MESH	YT-F-16120
PRODUCT TYPE	WIRE ROPE MESH
MATERIAL TYPE	AISI316 WIRE ROPE
NORMAL DIAMETER	1.5 MM / 1.6 MM
WIRE ROPE CONSTRUCTION	7 x 7
MESH APERTURE	W 120 MM x H 210 MM
MESH ANGLE	60° IN RHOMBUS
APPROX. NET WEIHT	0.22KG / M <sup>2</sup>
MIN.BREAKING LOAD (WIRE ROPE)	1.5 KN

# MESH APERTURE DETAILS



# ORIENTATION & FINISHED

MESH ORIENTATION	
<p><b>HORIZONTAL</b></p> 	<p><b>VERTICAL</b></p> 
FINISHED	
<p><b>ULTRASONIC BATH</b></p> 	<p><b>BLACK OXIDE</b></p> 

# POPULAR STYLES

