

INOX X-TEND CABLE WEBNET

FERRULED TYPE DATA SHEET

1.2 MM WIRE ROPE

YT-F-1220

YUNTONG X-TEND MESH	YT-F-1220
PRODUCT TYPE	WIRE ROPE MESH
MATERIAL TYPE	AISI316 WIRE ROPE
NORMAL DIAMETER	1.2 MM
WIRE ROPE CONSTRUCTION	7 x 7
MESH APERTURE	W 20 MM x H 35 MM
MESH ANGLE	60° IN RHOMBUS
APPROX. NET WEIHT	1.12 KG / M ²
MIN.BREAKING LOAD (WIRE ROPE)	0.8 KN

YT-F-1225

YUNTONG X-TEND MESH	YT-F-1225
PRODUCT TYPE	WIRE ROPE MESH
MATERIAL TYPE	AISI316 WIRE ROPE
NORMAL DIAMETER	1.2 MM
WIRE ROPE CONSTRUCTION	7 x 7
MESH APERTURE	W 25 MM x H 40 MM
MESH ANGLE	60° IN RHOMBUS
APPROX. NET WEIHT	0.91KG / M ²
MIN.BREAKING LOAD (WIRE ROPE)	0.8 KN

YT-F-1230

YUNTONG X-TEND MESH	YT-F-1230
PRODUCT TYPE	WIRE ROPE MESH
MATERIAL TYPE	AISI316 WIRE ROPE
NORMAL DIAMETER	1.2 MM
WIRE ROPE CONSTRUCTION	7 x 7
MESH APERTURE	W 30 MM x H 50 MM
MESH ANGLE	60° IN RHOMBUS
APPROX. NET WEIHT	0.67KG / M ²
MIN.BREAKING LOAD (WIRE ROPE)	0.8 KN

YT-F-1238

YUNTONG X-TEND MESH	YT-F-1238
PRODUCT TYPE	WIRE ROPE MESH
MATERIAL TYPE	AISI316 WIRE ROPE
NORMAL DIAMETER	1.2 MM
WIRE ROPE CONSTRUCTION	7 x 7
MESH APERTURE	W 38 MM x H 66 MM
MESH ANGLE	60° IN RHOMBUS
APPROX. NET WEIHT	0.47KG / M ²
MIN.BREAKING LOAD (WIRE ROPE)	0.8 KN

YT-F-1240

YUNTONG X-TEND MESH	YT-F-1240
PRODUCT TYPE	WIRE ROPE MESH
MATERIAL TYPE	AISI316 WIRE ROPE
NORMAL DIAMETER	1.2 MM
WIRE ROPE CONSTRUCTION	7 x 7
MESH APERTURE	W 40 MM x H 70 MM
MESH ANGLE	60° IN RHOMBUS
APPROX. NET WEIHT	0.44KG / M ²
MIN.BREAKING LOAD (WIRE ROPE)	0.8 KN

YT-F-1250

YUNTONG X-TEND MESH	YT-F-1250
PRODUCT TYPE	WIRE ROPE MESH
MATERIAL TYPE	AISI316 WIRE ROPE
NORMAL DIAMETER	1.2 MM
WIRE ROPE CONSTRUCTION	7 x 7
MESH APERTURE	W 50 MM x H 86 MM
MESH ANGLE	60° IN RHOMBUS
APPROX. NET WEIHT	0.33KG / M ²
MIN.BREAKING LOAD (WIRE ROPE)	0.8 KN

YT-F-1260

YUNTONG X-TEND MESH	YT-F-1260
PRODUCT TYPE	WIRE ROPE MESH
MATERIAL TYPE	AISI316 WIRE ROPE
NORMAL DIAMETER	1.2 MM
WIRE ROPE CONSTRUCTION	7 x 7
MESH APERTURE	W 60 MM x H 104 MM
MESH ANGLE	60° IN RHOMBUS
APPROX. NET WEIHT	0.24KG / M ²
MIN.BREAKING LOAD (WIRE ROPE)	0.8 KN

YT-F-1270

YUNTONG X-TEND MESH	YT-F-1270
PRODUCT TYPE	WIRE ROPE MESH
MATERIAL TYPE	AISI316 WIRE ROPE
NORMAL DIAMETER	1.2 MM
WIRE ROPE CONSTRUCTION	7 x 7
MESH APERTURE	W 70 MM x H 120 MM
MESH ANGLE	60° IN RHOMBUS
APPROX. NET WEIHT	0.22KG / M ²
MIN.BREAKING LOAD (WIRE ROPE)	0.8 KN

YT-F-1275

YUNTONG X-TEND MESH	YT-F-1275
PRODUCT TYPE	WIRE ROPE MESH
MATERIAL TYPE	AISI316 WIRE ROPE
NORMAL DIAMETER	1.2 MM
WIRE ROPE CONSTRUCTION	7 x 7
MESH APERTURE	W 75 MM x H 130 MM
MESH ANGLE	60° IN RHOMBUS
APPROX. NET WEIHT	0.2KG / M ²
MIN.BREAKING LOAD (WIRE ROPE)	0.8 KN

YT-F-1280

YUNTONG X-TEND MESH	YT-F-1280
PRODUCT TYPE	WIRE ROPE MESH
MATERIAL TYPE	AISI316 WIRE ROPE
NORMAL DIAMETER	1.2 MM
WIRE ROPE CONSTRUCTION	7 x 7
MESH APERTURE	W 80 MM x H 140 MM
MESH ANGLE	60° IN RHOMBUS
APPROX. NET WEIHT	0.18KG / M ²
MIN.BREAKING LOAD (WIRE ROPE)	0.8 KN

YT-F-1290

YUNTONG X-TEND MESH	YT-F-1290
PRODUCT TYPE	WIRE ROPE MESH
MATERIAL TYPE	AISI316 WIRE ROPE
NORMAL DIAMETER	1.2 MM
WIRE ROPE CONSTRUCTION	7 x 7
MESH APERTURE	W 90 MM x H 155 MM
MESH ANGLE	60° IN RHOMBUS
APPROX. NET WEIHT	0.168KG / M ²
MIN.BREAKING LOAD (WIRE ROPE)	0.8 KN

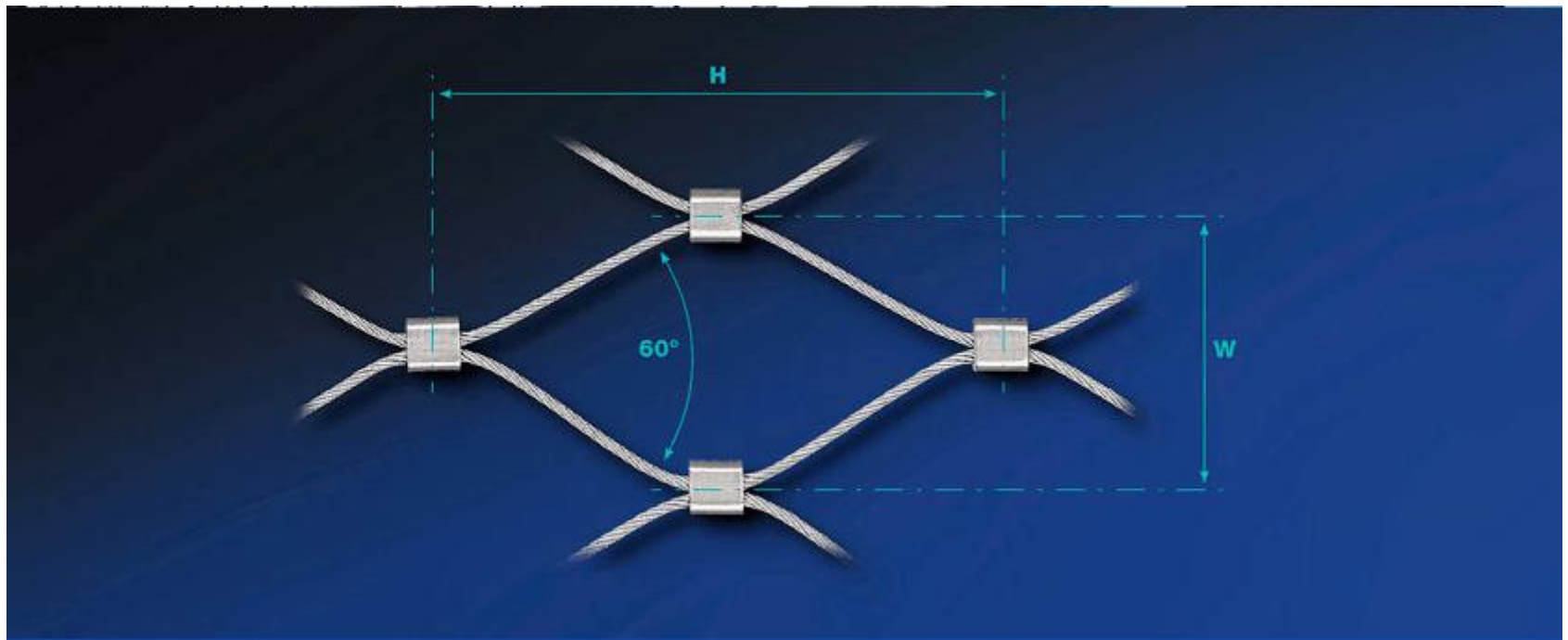
YT-F-12100

YUNTONG X-TEND MESH	YT-F-12100
PRODUCT TYPE	WIRE ROPE MESH
MATERIAL TYPE	AISI316 WIRE ROPE
NORMAL DIAMETER	1.2 MM
WIRE ROPE CONSTRUCTION	7 x 7
MESH APERTURE	W 100 MM x H 175 MM
MESH ANGLE	60° IN RHOMBUS
APPROX. NET WEIHT	0.15KG / M ²
MIN.BREAKING LOAD (WIRE ROPE)	0.8 KN

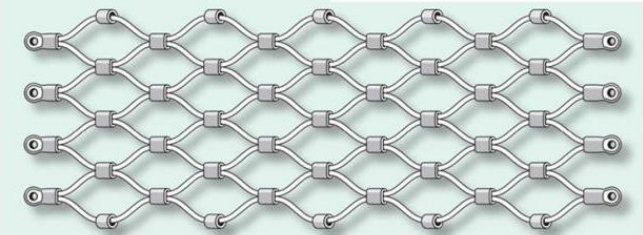
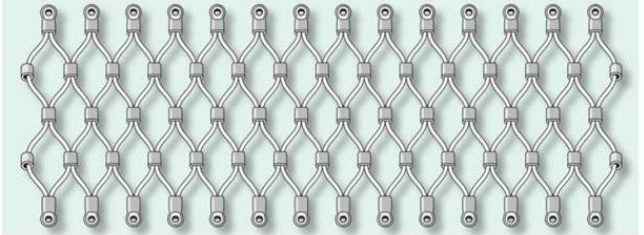
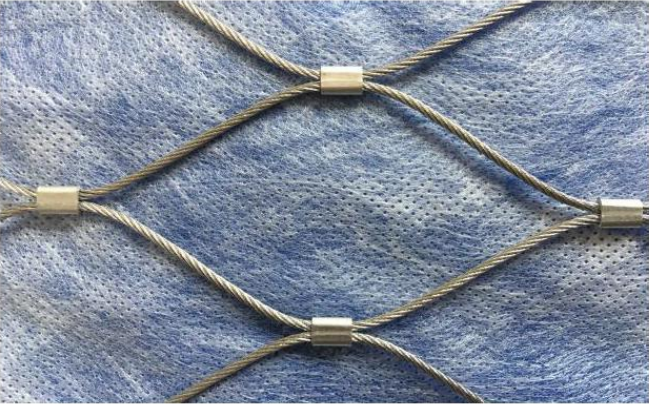

YT-F-12120

YUNTONG X-TEND MESH	YT-F-12120
PRODUCT TYPE	WIRE ROPE MESH
MATERIAL TYPE	AISI316 WIRE ROPE
NORMAL DIAMETER	1.2 MM
WIRE ROPE CONSTRUCTION	7 x 7
MESH APERTURE	W 120 MM x H 210 MM
MESH ANGLE	60° IN RHOMBUS
APPROX. NET WEIHT	0.12KG / M ²
MIN.BREAKING LOAD (WIRE ROPE)	0.8 KN

MESH APERTURE DETAILS



ORIENTATION & FINISHED

MESH ORIENTATION	
<p>HORIZONTAL</p>  A schematic diagram showing a diamond-shaped mesh structure with four rows of nodes. The nodes are arranged in a regular grid, and the mesh is oriented horizontally, meaning the diamond shapes are elongated horizontally.	<p>VERTICAL</p>  A schematic diagram showing a diamond-shaped mesh structure with four rows of nodes. The nodes are arranged in a regular grid, and the mesh is oriented vertically, meaning the diamond shapes are elongated vertically.
FINISHED	
<p>ULTRASONIC BATH</p>  A photograph showing a close-up of a diamond-shaped mesh structure. The mesh is made of a blue, porous material and is connected by gold-colored metal fittings. The mesh is oriented horizontally.	<p>BLACK OXIDE</p>  A photograph showing a close-up of a diamond-shaped mesh structure. The mesh is made of a blue, porous material and is connected by black metal fittings. The mesh is oriented vertically.

POPULAR STYLES

